

# 4-Port USB 4K HDMI KVMP™ Switch

## CS784H

The ATEN CS784H 4-Port USB 4K HDMI KVMP™ Switch enables users to control up to 4 computers with a single USB keyboard, mouse and HDMI monitor. The CS784H effectively reduces desktop clutter and minimizes the cost and complexity of multi-system setups.

The CS784H provides multiple port selection methods, including a remote port selector, hotkeys, and mouse wheel switching to engineer for maximum flexibility. In addition, the CS784H features USB peripheral sharing, allowing users to share USB 2.0 devices such as printers, storage drives, or scanners, among all connected computers.

The CS784H supports resolutions up to 4096 x 2160 @ 60Hz and ultra-wide to 5120 x 1440 @ 60Hz, ensuring optimized display resolution with exceptional detail and clarity in all conditions. With ATEN's patented Video DynaSync™ technology, the CS784H ensures optimal resolution and consistent window layout during port switching for smooth multi-system workflows.

The CS784H includes all required HDMI and USB cables, along with a power adapter, for instant plug-and-play setup and hassle-free installation with no need for extra purchases. Designed for SOHO environments, remote workstations, or office setups, the CS784H delivers efficient multi-computer control with exceptional video fidelity and operational convenience.



Front View

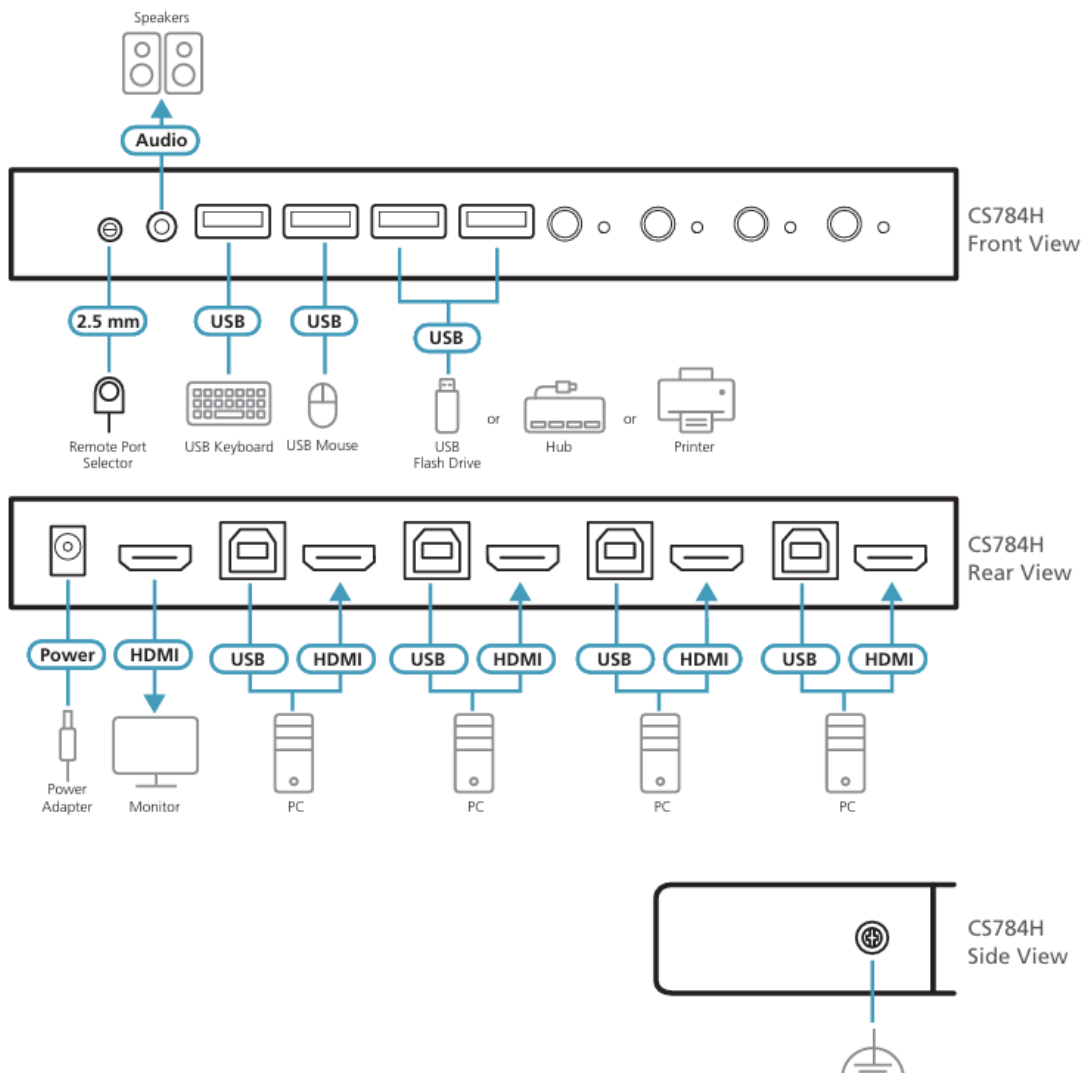


Rear View



## Features

- Single USB keyboard and mouse control up to 4 PCs, simplifying cables and reducing the cost of multi-computer setups
- Superior video quality – up to 4096 x 2160 @ 60 Hz, 5120 x 1440 @ 60Hz
- Exclusive ATEN technology ensures optimal resolution and consistent window layout during port switching for smooth multi-system workflows
- Computer selection via remote port selector, hotkeys, and USB mouse
- Multiplatform support – Windows, Mac, and Linux
- USB peripheral sharing
- All HDMI / USB cables and power adapter included – for plug-and-play setup and hassle-free installation, no extra purchases needed
- Power-on detection automatically switches to the next active computer
- Supports most gaming / multimedia keyboards and multifunction mice with emulation or bypass
- Auto-scan function allows continuous monitoring of connected systems
- Plug and play – no software installation or configuration required
- Supports hot-plugging
- Firmware upgradeable



## Specifications

	CS784H
<b>Computer Connections</b>	4
<b>Port Selection</b>	Hotkey, Pushbutton, Mouse, Remote Port Selector
<b>Connectors</b>	
Console Ports	2 x USB Type-A Female 1 x HDMI Female (Black) 1 x 3.5mm Audio Jack Female (Green; 1 x front)
KVM (Computer) Ports	4 x USB2.0 Type-B Female (White) 4 x HDMI Female (Black)
Power	1 x DC Jack
USB Hub	2 x USB2.0 Type-A Female (White; 2 x front)
<b>Switches</b>	
Selected	4 x Pushbutton
<b>LEDs</b>	
Online / Selected	4 (Orange)
<b>Emulation</b>	
Keyboard / Mouse	USB
<b>Video</b>	Up to 4096 x 2160 @ 60Hz, 5120 x 1440 @ 60Hz
<b>Scan Interval</b>	1-99 Seconds (Default: 5 sec.)
<b>Power Consumption</b>	DC5V:1.73W
<b>Environmental</b>	
Operating Temperature	0 – 40°C
Storage Temperature	-20 – 60°C
Humidity	0-80% RH, Non-condensing
<b>Physical Properties</b>	
Housing	Metal, Plastic
Weight	0.47 kg
Dimensions (L x W x H)	20.23 x 8.17 x 2.50 cm